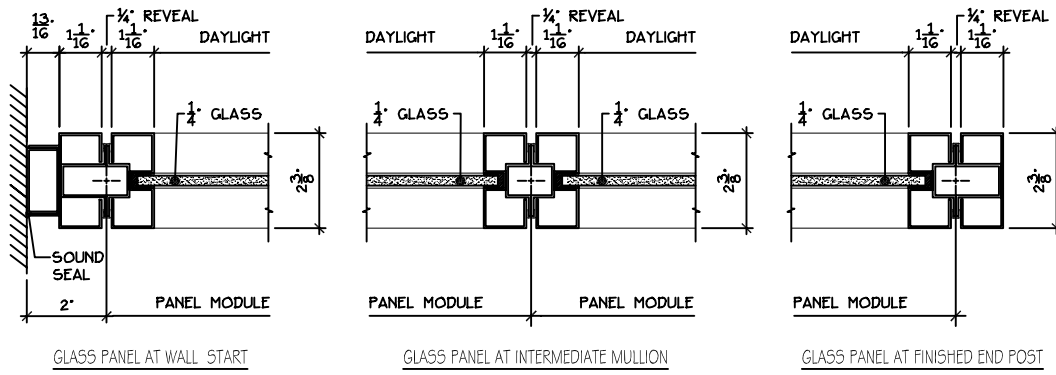


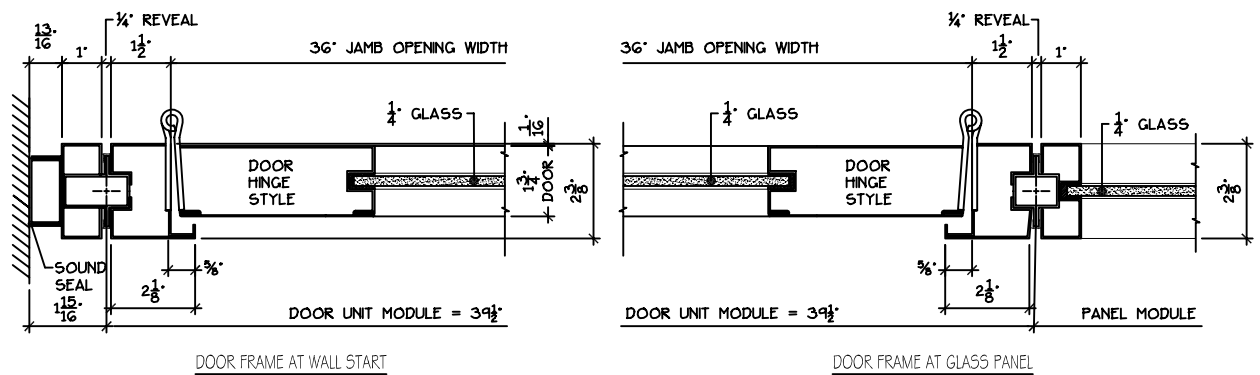
ADANLOCK ARCHITECTURAL WALL SYSTEMS

238 SERIES - STANDARD DETAILS

VERTICAL
MULLION
POSTS

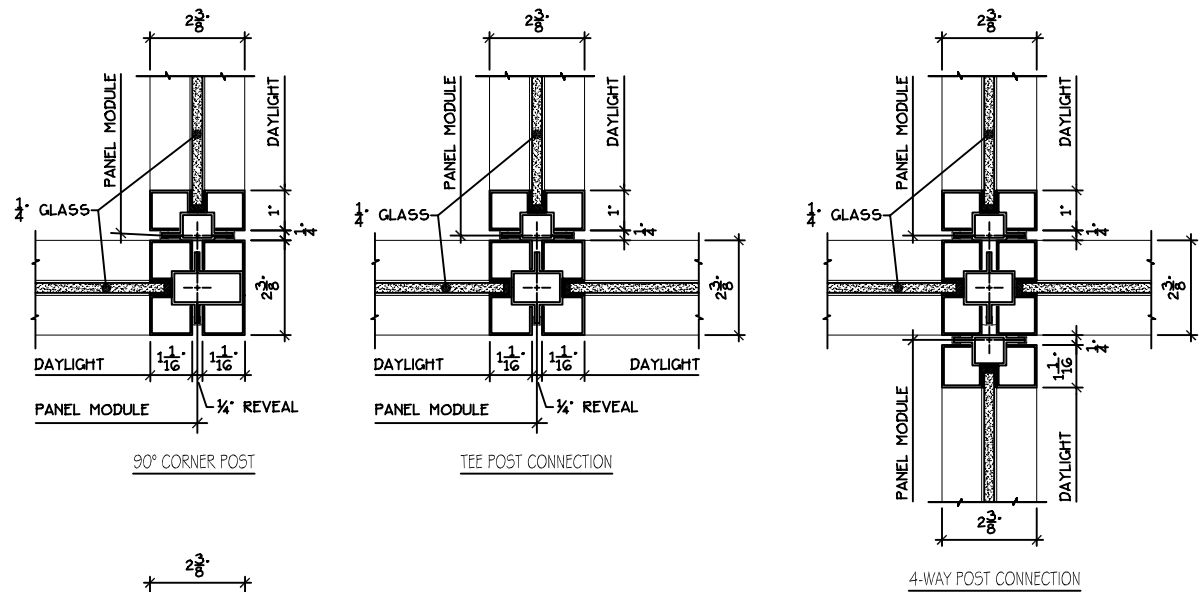


DOOR
FRAME
JAMBS



GLASS PANEL DETAILS

CORNER
POST
DETAILS



MITERED
CORNER
JOINT

