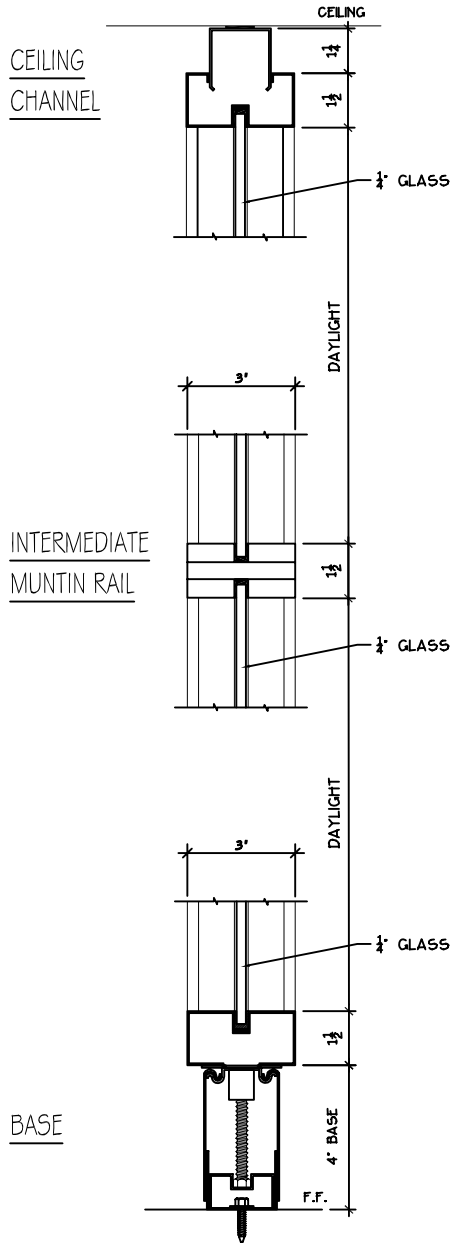


# ADANLOCK ARCHITECTURAL WALL SYSTEMS

## 300 SERIES - STANDARD DETAILS

### GLASS / METAL PANEL SECTIONS



### GLASS / METAL DOOR FRAME SECTIONS

