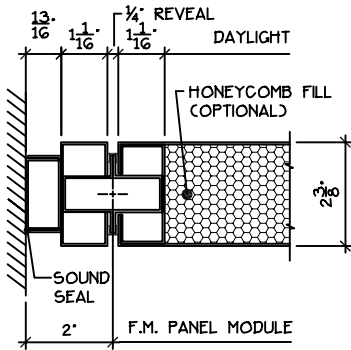


ADANLOCK ARCHITECTURAL WALL SYSTEMS

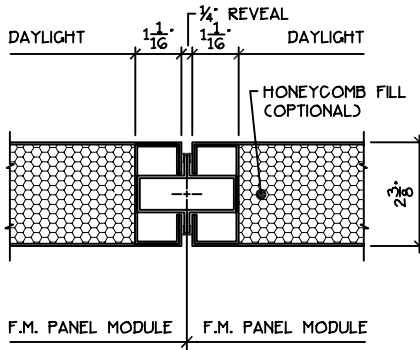
238 SERIES - STANDARD DETAILS

FLUSH METAL PANEL DETAILS

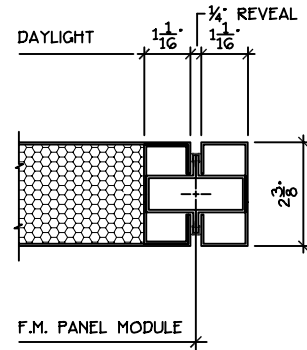
VERTICAL
MULLION
POSTS



FLUSH METAL PANEL AT WALL START

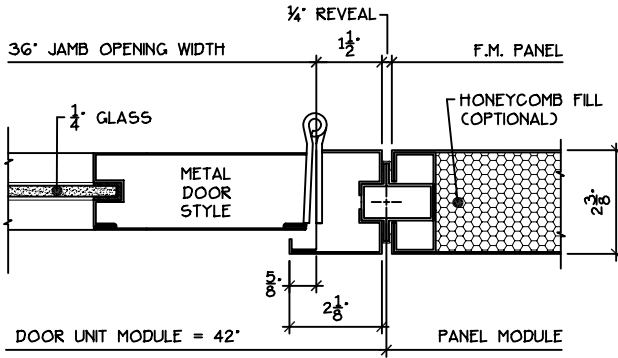


FLUSH METAL PANEL AT INTERMEDIATE MULLION



FLUSH METAL PANEL AT FINISHED END POST

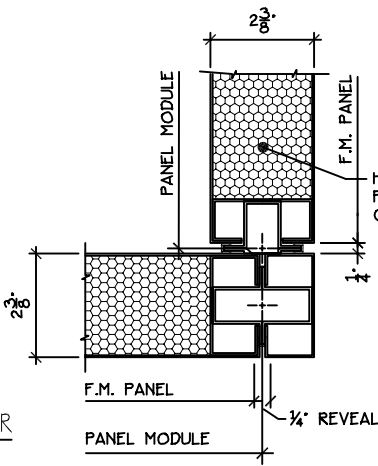
DOOR
FRAME
JAMB



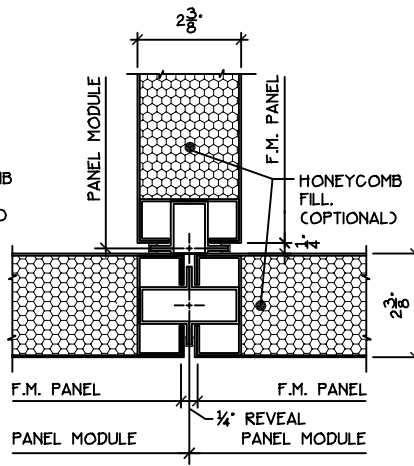
DOOR FRAME AT FLUSH METAL PANEL

FLUSH METAL PANEL DETAILS

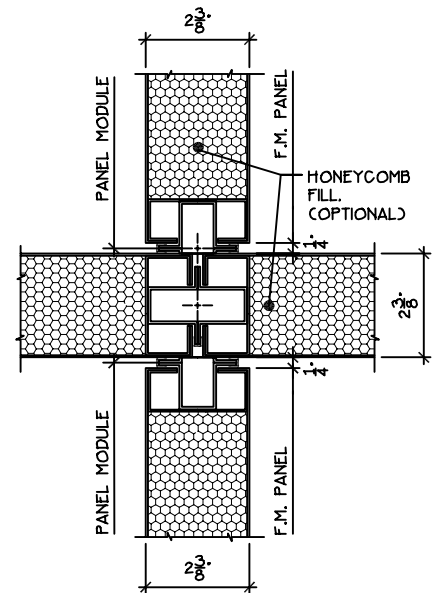
CORNER
POST
DETAILS



90° CORNER POST



TEE POST CONNECTION



4-WAY POST CONNECTION