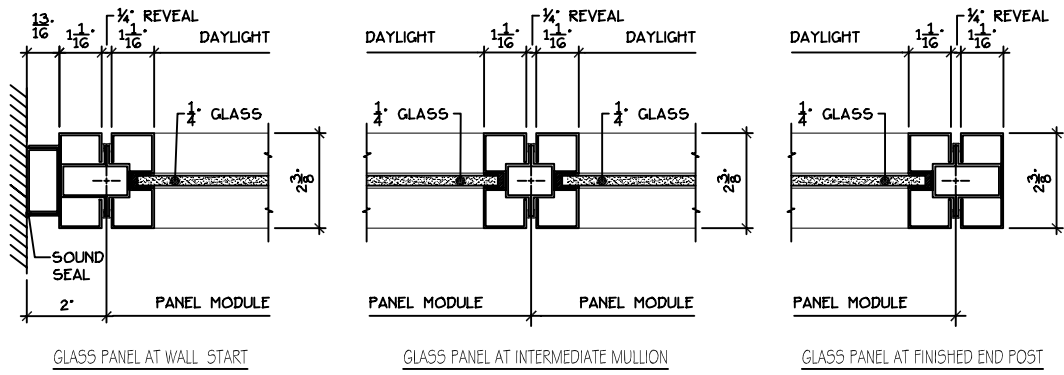


ADANLOCK ARCHITECTURAL WALL SYSTEMS

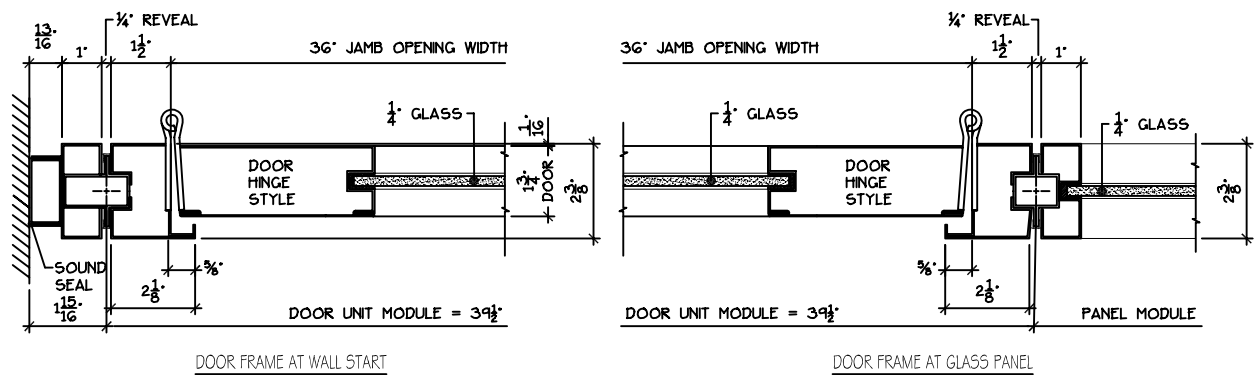
238 SERIES - STANDARD DETAILS

GLASS PANEL DETAILS

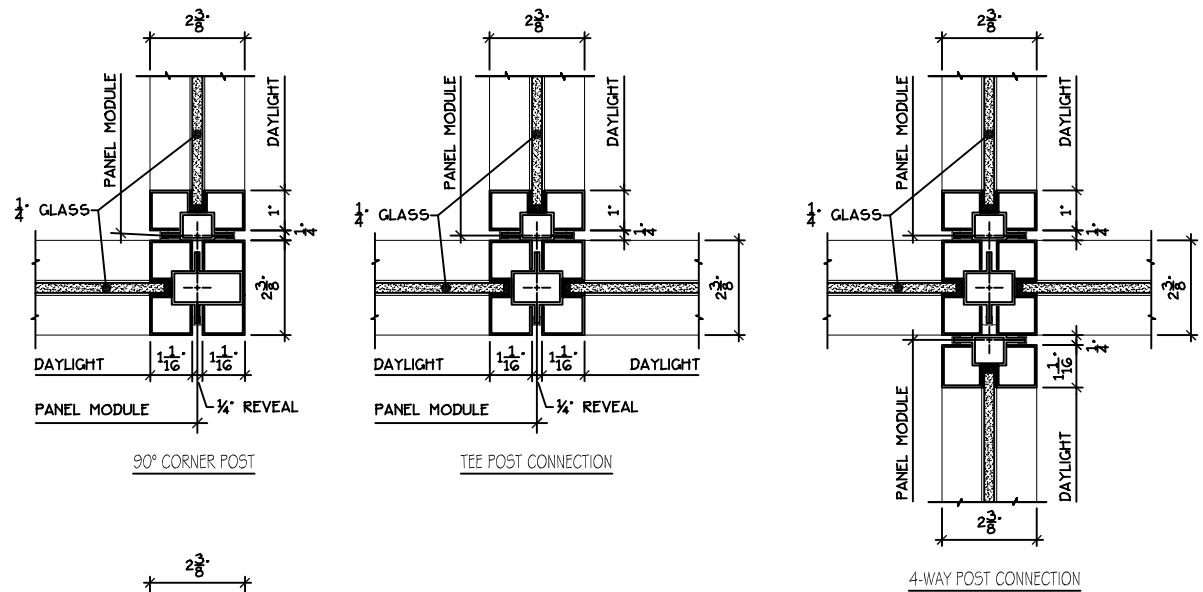
VERTICAL
MULLION
POSTS



DOOR
FRAME
JAMBS



CORNER
POST
DETAILS



MITERED
CORNER
JOINT

