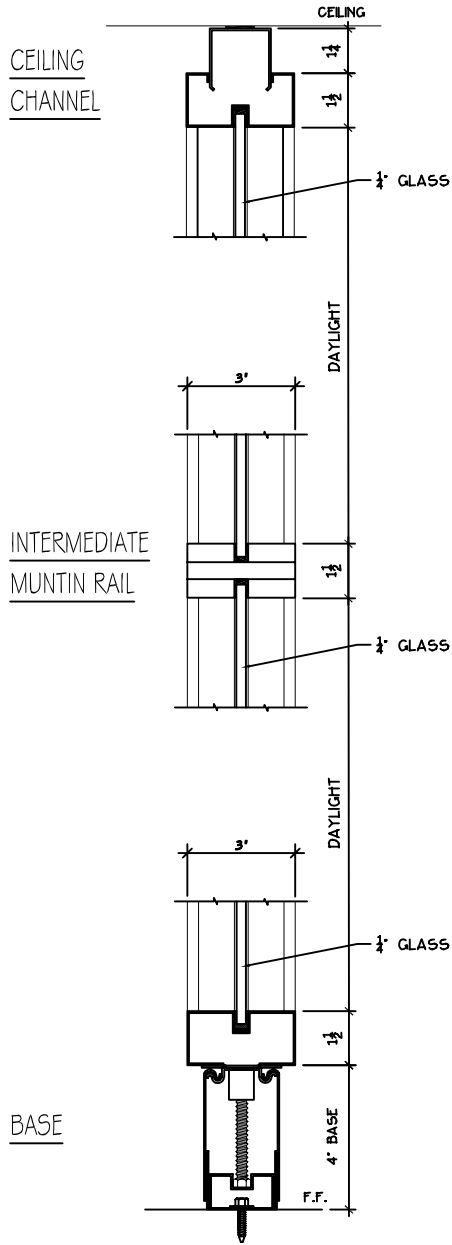


ADANLOCK ARCHITECTURAL WALL SYSTEMS

300 SERIES - STANDARD DETAILS

GLASS / METAL PANEL SECTIONS



GLASS / METAL DOOR FRAME SECTIONS

